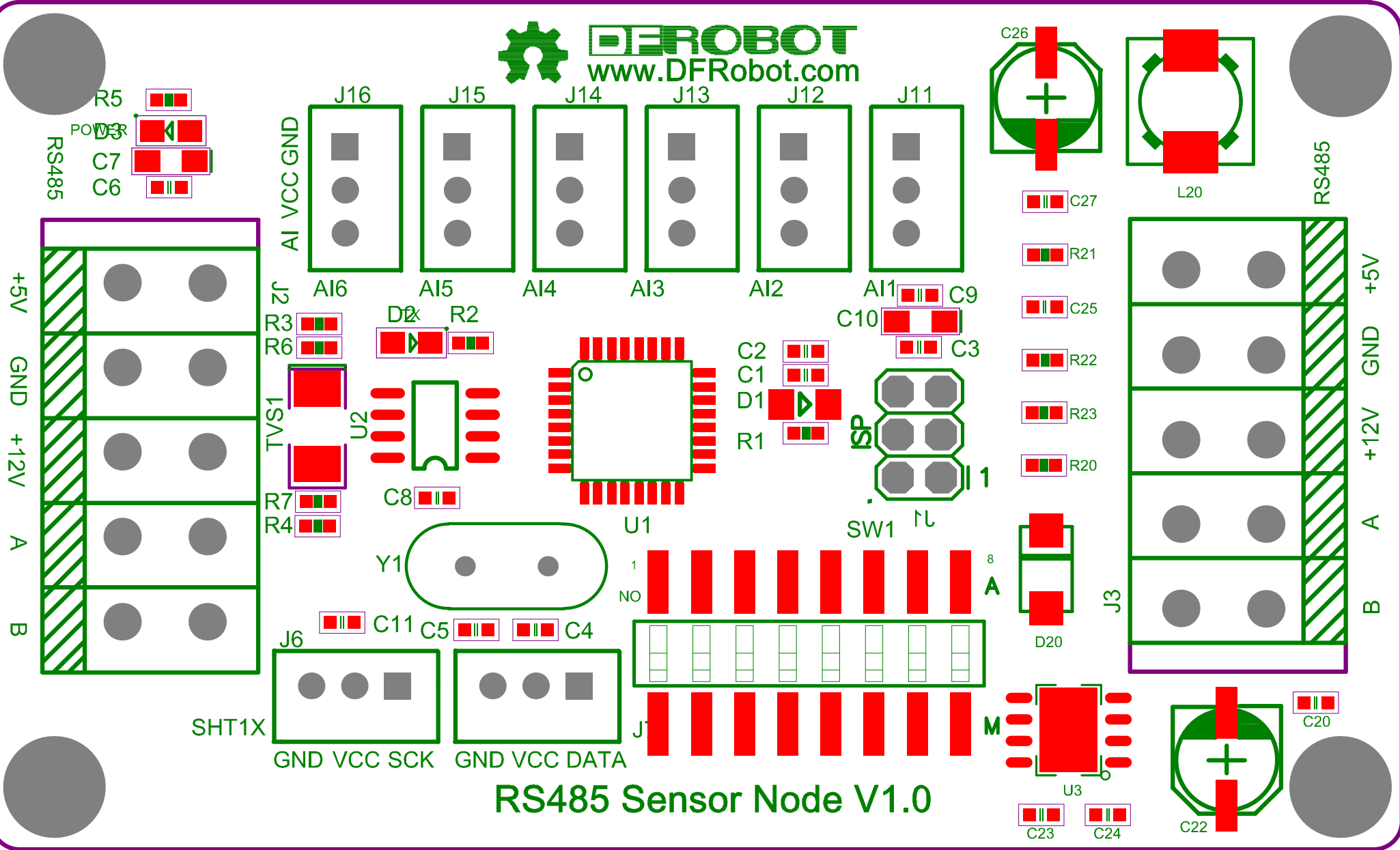


83 (mm)



50 (mm)

RS485 Sensor Node V1.0

83 (mm)

50 (mm)



R2485 Sensor Node V1.0

DATA VCC GND SCK VCC GND

SHT1X

+2V GND +1.5V A B

I2C

A11

A12

A13

A14

A15

A16

GND ACC A1

B A +1.5V GND +2V