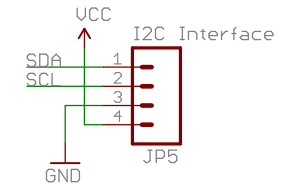
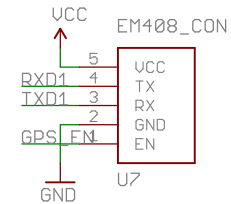
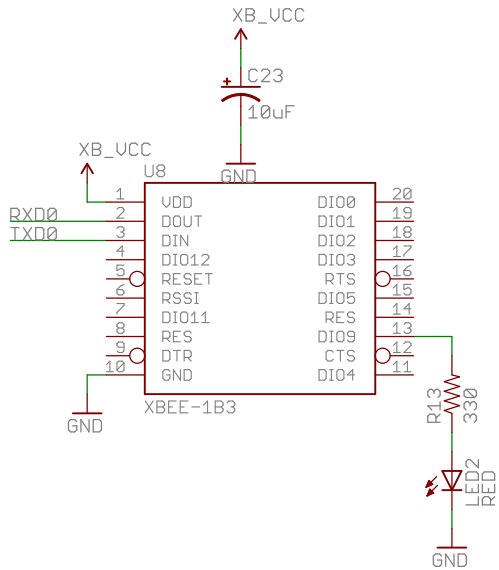
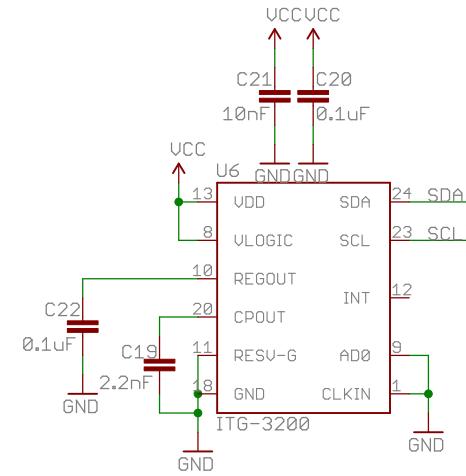
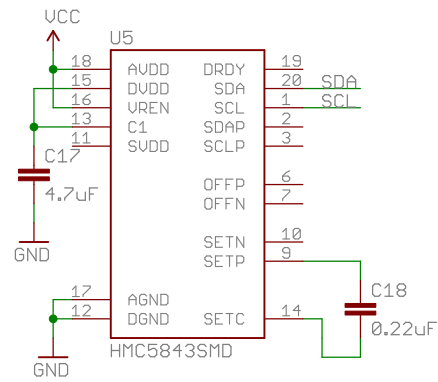
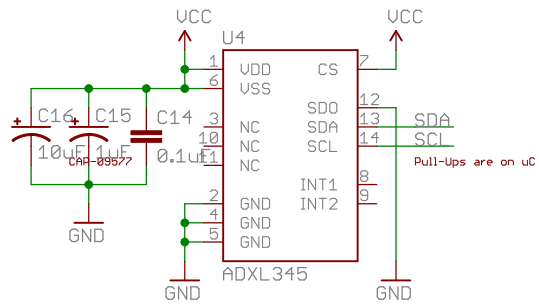


SFE         
        SFE

TITLE: ultimate imu-v12

Document Number: \_\_\_\_\_ REV: \_\_\_\_\_

Date: 9/24/2010 12:05:30 PM    Sheet: 1/2



TITLE: ultimate imu-v12

Document Number:

REV:

Date: 9/24/2010 12:05:30 PM

Sheet: 2/2